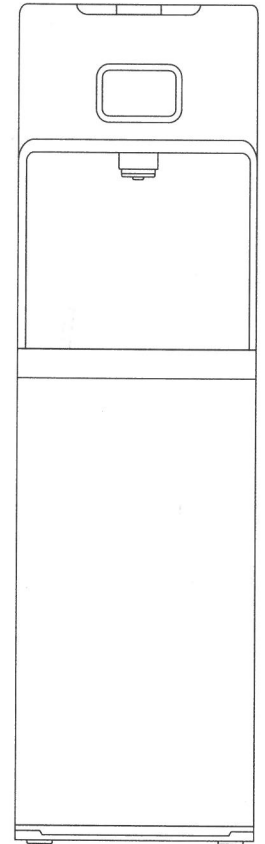


## 上流式蒸餾水機

**MODEL**  
SP-A1688-UV

請妥善保管本說明書  
使用飲水機前請仔細閱讀說明書內容



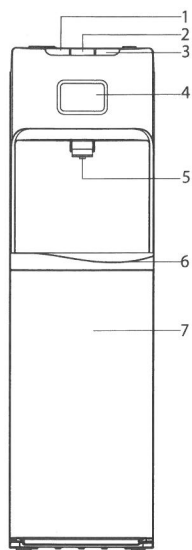
## 目 錄

一 安全指引	1
二 部件名稱	2
三 安全事項	3
四 操作面板	5
五 開始使用	5
六 飲水	7
七 故障自檢	8
八 技術參數	8
九 電路圖	9
十 清洗指南	9
十一 腳架安裝	10

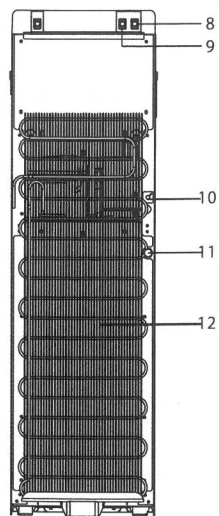
## 一 安全指引

1. 為了避免因操作失誤導致的危險，身體，感官，精神缺陷的人或者缺乏經驗的和知識的人（包括兒童）不建議使用此產品，除非他們願意為其人生安全承擔責任或者在得到監督或者操作指引下才能使用，兒童應該在成人監督下正確使用以確保不會誤用產品。應由專業人員清洗和維護。
2. 為了避免因操作失誤導致的危險，身體，感官，精神缺陷的人或者缺乏經驗的和知識的人（包括兒童）不建議使用此產品，除非他們願意為其人生安全承擔責任或者在得到監督或者操作指引下才能使用，兒童應該在成人監督下正確使用以確保不會誤用產品。
3. 產品是專為由專業培訓的用戶在商店，輕工業和農場用途使用，或供非專業人員在商業領域使用。
4. 如果飲水機電源軟線損壞，為避免危險，必須由製造商，其維修部或類似的部門專業人員來更換。
5. 產品絕不能利用水噴射進行清洗。
6. 產品僅適合室內使用。
7. 敬告：產品必須放置在通風處，並保持內置結構暢通。
8. 敬告：除了製造商推薦的方法，不要使用機械設備或其他方式加速除霜過程中。
9. 敬告：不要在食物儲藏室裡面使用電器設備，除非它們是由製造商推薦的類型。

## 二 部件名稱



( 正面 )



( 背面 )

序號	零件名稱	序號	零件名稱
1	熱水按鈕	7	下門板
2	常溫水按鈕	8	加熱開關
3	冷水按鈕	9	製冷開關
4	顯示面板	10	電源線
5	出水口	11	排水口
6	接水盒	12	冷凝器

注：適宜使用5加侖的桶裝水。不應使用不健康硬水。

## 三 安全事項

### ▲ 注意

爲了減少傷害的危險和財產的損失，用戶在裝配，安裝和操作飲水機前必須完整的閱讀本指南。

未能按照本手冊中說明操作，可能導致人身傷害或財產損失。

本產品流出非常高溫的水。如果不正確使用，可能導致人身傷害。當使用此飲水時，須執行以下的基本安全防範措施：

- 在使用之前，必須按照本手冊正確組裝和安裝飲水機。  
這飲水機的目的是提供飲水功能。不要裝入其他液體。不做其他用途。
- 他用途。除了已知的，微生物性安全的瓶裝水外，不要裝其他液體到本飲水機。
- 只能在室內使用。把飲水機放在不被陽光直射和乾燥的地方。不要在戶外使用。
- 只在堅硬，平坦的表面安裝和使用。
- 不要把飲水機放入封閉的空間或櫃子里。
- 不要在有爆炸性氣體的地方使用飲水機。
- 放置飲水機的背部離牆不少於20cm, 以便飲水機和牆之間的空氣自由流通。
- 只使用接地線的插座。
- 不要給你的飲水機的電源線增加延長線。
- 如要拔出插頭，請直接抓住插頭，從插座上拔出。不要通過拉電源線拔掉插頭。
- 如果電源線磨損或損壞，不使用飲水機。
- 爲防止觸電，不要沉浸電源線，插頭，或飲水機的任何其他部份于水或其他液體中
- 清潔飲水機之前請確保拔下電源線。
- 勿讓子女在沒有適當和直接的監督下盛接熱水。
- 須由經過認證的技術人員維護。
- 注意：莫損壞製冷劑回路。

- 成人應監督孩子們，以確保兒童不玩弄該設備。
- 該設備不適宜給身體，感官或精神有殘缺的人（包括孩童）或是缺乏經驗和知識的人直接使用，除非有負責他們安全的人的監督或接受了使用該設備的指導。
- 此設備適用於家庭及以下場所：商店裡的員工廚房，辦公室和其他工作場所。農莊，酒店，旅館和他居住環境，起居飲食環境。
- 如果飲水機電源軟線損壞，為避免危險，必須由製造商，其維修部或類似的部門專業人員來更換。
- 機器不能用噴水頭清洗。
- 這個機器只適合在室內使用。
- 警告:保持電器外殼或內置結構的通風口沒有障礙物。
- 警告:除製造商推薦的設備外，請勿使用機械設備或其他方法加速除霜。
- 請勿將爆炸性物質（如帶有易燃助燃劑等）存放在本機器中。
- 機器不能浸入水中。
- 本機器應在溫度為10°C~43°C的環境下工作。
- 本機器不適合安裝在可能使用噴水頭的地方。
- 請勿將機器倒置或傾斜超過45°。
- 恆溫器已調好。不需要自己調整。當機器在冰點以下被冰堵塞時，必須關閉冷卻開關，4小時後再打開冷卻開關繼續工作。
- 關閉電源開關後，3分鐘後才能開機。
- 建議使用瓶裝純淨水。如果使用硬水，可能導致火鍋起皺或爆燃罐或管道的危險。如果需要清洗管材，去除水垢，需要找專業機構並進行專業操作。
- 本產品不建議在海拔1500米以上的地區使用。
- 警告:定位器具時，確保電源線沒有被困住或損壞。
- 警告:不要在電器的後部放置多個插座或電源。
- 為了保證機器能夠正常使用，請在開機前保持24小時不動。
- 警告:紫外線輻射對眼睛和皮膚有危險。不要在器具外操作UV-C發射器。
- 警告:當UV-C發射器從電器外殼上取下時，請勿操作它。
- 警告:本器具含有紫外線發射器。不要盯著光源看。意外使用設備或損壞外殼可能導致危險的UV-C輻射洩漏。即使劑量很小，紫外線-c輻射也可能對眼睛和皮膚造成傷害。
- 明顯損壞的器具不得操作。
- 如使用者不允許更換UV-C發射器，則必須清楚說明。

## 四 操作面板

1. 將電源線插入接地良好的牆壁插座，3個指示燈將從左到右依次點亮然後熄滅。



2. 打開加熱開關。加熱指示燈在加熱過程中亮起，加熱完成後熄滅加熱指示燈並且已經停止加熱。當加熱開關關閉時，加熱指示燈也會熄滅。



3. 打開冷卻開關。冷卻指示燈在冷卻過程中亮起，冷卻完成後熄滅冷卻指示燈並且已經停止冷卻。當冷卻開關關閉時，冷卻指示燈也會熄滅。



4. 在正常工作條件下，通電後。當UV模組工作時，UV導燈將亮起。否則，紫外線指示燈將熄滅。



5. 當水罐內水位低或空時，加熱指示燈和冷卻指示燈同時閃爍。



## 五 開始使用

### 放置飲水機

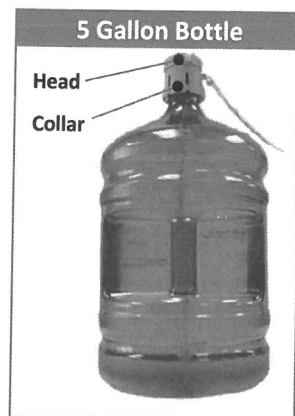
1. 直立放置飲水機
2. 把飲水機放置在堅固的水平面上。同時確保附近有接地線的插座並且環境陰涼。

注意：此時且勿插電源線

3. 飲水機的背部和牆體間留有至少20cm，兩側的間隙至少要有20cm

## 安裝水桶

1. 打開飲水機的櫃門。
2. 把吸水組件安到掛架上。
3. 把新的水桶放到櫃旁邊。
4. 移除水桶口上的整個塑膠套
5. 用布清潔水桶口的外部。
6. 將吸水伸進桶裏。
7. 將吸水管套圈壓緊至瓶口。
8. 將吸水管的接頭壓下，直到水管接觸到桶的底部。
9. 將水桶移入櫃內。



## 電源

將電源線接到有正確接地的牆壁插座上

此時，泵將開始把水從水桶抽到熱罐和冷罐里，若是第一次使用，將需要5分鐘以填滿儲水箱。在此期間，泵將持續運行。這是正常的。

## 啟動加熱和製冷

提示：在開關未被開啟時，該設備將不會流出熱水或冷水。

接下機背頂部的製冷制熱開關，開始加熱或製冷。

-如果你不想加熱水，可推下紅色開關至底部關閉熱水開關。

-如果你不想制冷水，推下綠色開關至底部關閉冷水開關。

## 六 飲水

本機在包裝和運輸前已通過測試和消毒。

在運輸過程中，灰塵和氣味可能積累在水箱和管道裡。

在喝任何水之前，倒出并丟棄至少一夸脫的水

### 飲用冷水

開機後，飲水機需要1個小時已達到最大的製冷效果。在此期間，壓縮機可能持續運行。這是正常的。

1. 把水壺，水杯，水瓶或烹飪鍋放到出水口下。
2. 向下壓低冷水控制以使冷水流出
3. 一旦達到想要的水量就鬆開控制

飲用常溫水

1. 將瓶子、玻璃杯、水罐或煮鍋放在壺嘴下方。
2. 向下按下正常水控制鍵，啟動正常水流。
3. 一旦達到所需的填充水準，釋放控制

### 飲用熱水（開機后，熱水機需要15-20分鐘）

1. 把水壺，水杯，水瓶或烹飪鍋放到出水口下。
2. 把紅色按鈕往你的反方向推，向下壓低熱水控制以使熱水流出
3. 一旦達到想要的水量就鬆開控制

紫外線顯示

在正常工作條件下，上電後UV模組以3小時為週期開始工作。在前40分鐘，紫外線圖示亮起，紫外線功能開啟。40分鐘後，UV圖示熄滅，UV功能關閉。140分鐘後，UV圖示亮起，UV功能再次開啟，繼續迴圈。

### 更換水桶

功能燈會閃爍紅燈提醒你當水桶空了。儘快更換水桶。

提醒：當紅燈閃爍時，不要倒出熱水，涼水或冷水。因為這樣會使水箱空了并導致飲水機過熱。

1. 打開飲水機櫃門。
2. 把空水桶移出櫃子。
3. 把探頭移出空水桶。把探頭組件放在探頭掛架上。
4. 把空水桶放一邊。
5. 把新的水桶放到櫃旁邊。移出水桶口上的整個塑膠套。用布清潔水桶口的外部。
6. 將探頭伸進桶裏。將套圈向下移直到到位。將探頭的接頭向下。直到水管接觸到桶的底部。
7. 將水桶移入櫃內。并關上櫃門。

## 七 故障自檢

### 漏水

拔掉水機電源，移開水桶并替換。

### 出水口沒有水出

檢查水瓶內的水是否用完，如果用完，更換水桶。

確保控制按鈕已完全開啟。

### 冷水不冷

安裝后，需起碼啟動一個小時才有足夠冷的水。

確保電源線是否正確連接到了可正常使用的電源插座。

確保飲水機離牆之間留有至少20cm，以便水機與牆有20cm的空氣流通。

確保綠色電源按鈕為開啟。

如果冷水依然不冷，請要求服務代理提供援助。

### 熱水不熱

安裝后，熱水需加熱10-20分鐘。

確保電源線是否正確連接到了可正常使用的電源插座。

確保飲水機後面的紅色電源開關是開啟狀態。

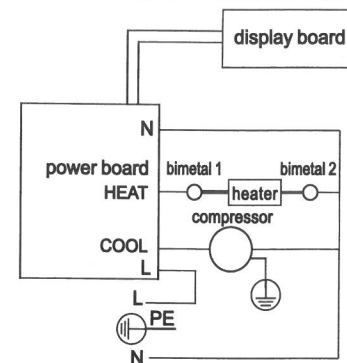
### 水機有噪音

確保水機被正確安置在水平面上。

## 八 技術參數

型號:	SP-A1688-UV		
規格:	316*360*1040mm		
額定電壓:	220-240V~	額定頻率:	50Hz
額定功率:	520W	加熱功率:	420W
加熱能力:	≥85°C 4升/小時	製冷能力:	≤10°C 2升/小時
冷媒:	R134a(32g)	製冷電流:	1.0A
冷罐容積:	2升	熱罐容積:	1升

## 九 電路圖



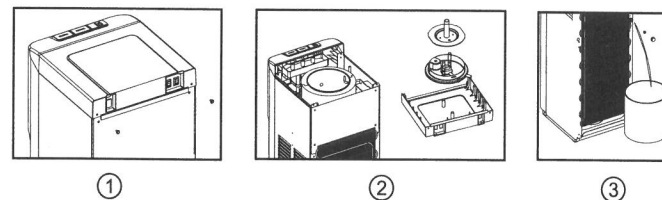
## 十 清洗指南

**切記：在進行下列各項操作前，請拔出機器電源以防意外發生**

1. 新機在出廠時已消毒，第一次使用，只需用水沖洗即可。
2. 清潔和排水指導：
  - 1) 確認電源開關處於O(off)位置，清洗前請拔掉電源插頭。
  - 2) 擰出兩個螺絲，取下上蓋、冷罐蓋和分離器2。
  - 3) 向冷水箱中注入0.6加侖純淨水進行清洗。
  - 4) 水流後依次打開所有水龍頭3分鐘，完成內部管路沖洗。
  - 5) 在排水口下方放置一個大水桶，排水口位於機器背面，取下排水塞，將水排幹3。
  - 6) 安裝完畢後，重新安裝排水塞、分離器、冷罐蓋和頂蓋。確保管道和電線連接正確，然後可以正常使用機器。

注意：

- 1) 清潔必須在專業人員的指導下進行。
- 2) 分配器將水加熱到大約85°C會導致嚴重的燒傷。請小心操作



3. 消毒：

使用從藥店或市集單獨購買的消毒液，按照消毒液的使用說明書對機器進行消毒，然後用水清洗(見清洗排水說明)。一般應該每三個月做一次。

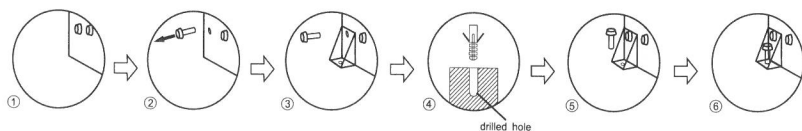
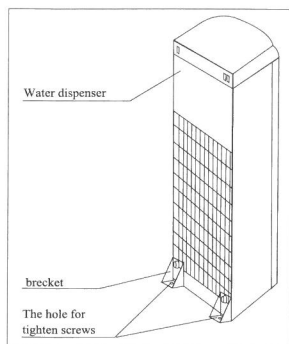
4. 清除污垢：

將4升水與200g檸檬酸晶體混合，注入機器，確保水能從熱水龍頭流出。打開電源加熱10分鐘左右，30分鐘後排水，用清水清洗2-3次。一般來說，這應該每六個月做一次。請勿自行拆卸本機，以免損壞本機。

## 十一腳架安裝

為防止機子側翻，請安裝相應腳架

1. 鬆開機身左下角處或右下角處的螺絲。
2. 用螺絲將腳架固定于機身左下角或右下角。
3. 在放置飲水機處的地板鑽孔
4. 安裝腳架并壓緊
5. 擰緊螺絲



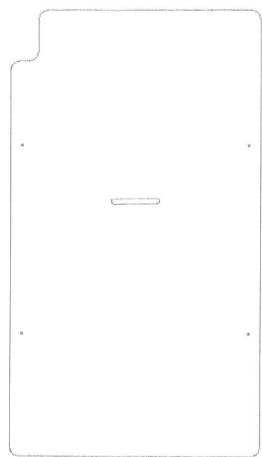
注：生產商保留更改之權利而不作另行通知

本產品所使用的包裝材料都是可回收的。我們建議您單獨將塑料，紙張和紙板交到回收站，以助環境保護。產品使用的是製冷劑R134a（氫氟烴-HFC），其不影響臭氧層，對溫室效應的影響不大。根據WEEE準則（電氣與電子設備廢物），電氣和電子設備廢棄物應單獨收集。如果將來您需要處置本產品，請不要與你的生活垃圾一同廢棄。而請將產品送至最近的WEEE收集點，如果有的話。



## 上流式蒸餾水機

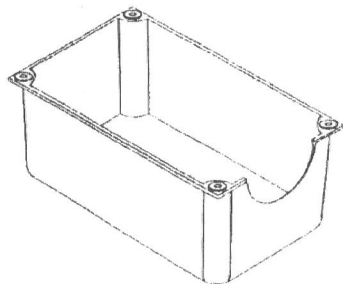
### 1. 後封板



011301

後封板，可自選吸附在下櫃內側，起到防塵，密封的作用。

### 2. 保護盒

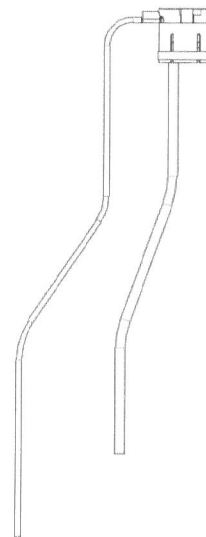


011302

保護盒，可自選蓋在水機下櫃里的抽水泵上，有隔音，保護水泵的作用。

### 3. 不鏽鋼吸水管

“S”型不鏽鋼吸水管，可更好的吸盡水樽里的水



011303-1



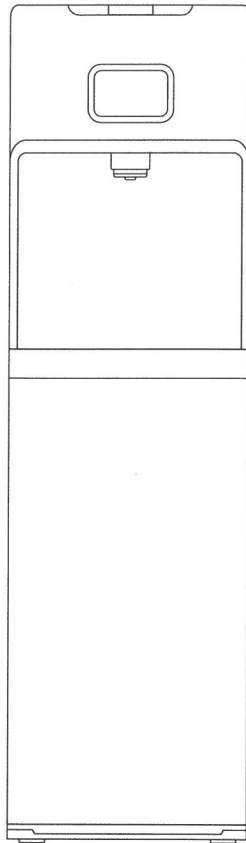


## Bottom Loading Water Dispenser

### MODEL

SP-A1688-UV

KEEP THIS MANUAL IN GOOD CONDITION  
PLEASE READ THIS MANUAL CAREFULLY  
BEFORE USING THE MACHINE  
REV.



## DIRECTORY

A: SAFETY INSTRUCTION .....	1
B: PART NAME .....	2
C: SAFETY PRECAUTIONS .....	3
D: OPERATION PANEL .....	5
E: GETTING STARTED .....	5
F: DISPENSING WATER .....	7
G: TROUBLESHOOTING .....	8
H: TECHNICAL PARAMETERS .....	8
I: CIRCUIT DIAGRAM .....	9
J: CLEANING .....	9
K: MACHINE INSTALLATION .....	11

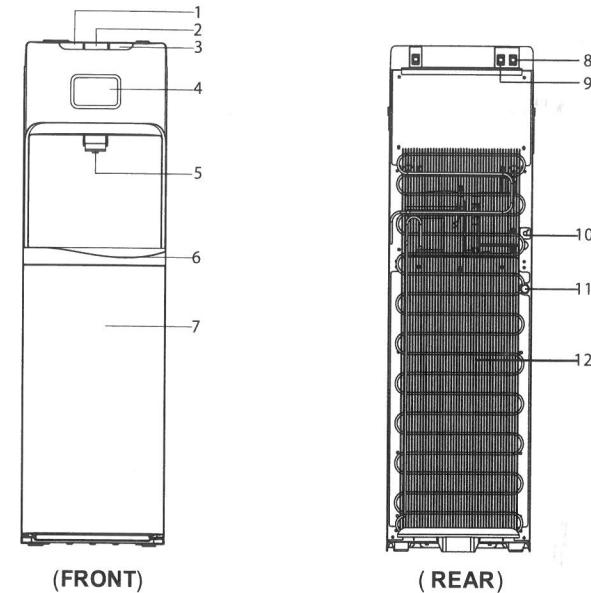
## A: SAFETY INSTRUCTION

1. This appliance can be used by children aged from 8 years and above and persons with reduced physical, sensory or mental capabilities or lack of experience and knowledge if they have been given supervision or instruction concerning use of the appliance in a safe way and understand the hazards involved. Children shall not play children without with the appliance.

Cleaning and user maintenance shall not be made by supervision.

2. Appliances can be used by persons with reduced physical, sensory or mental capabilities or lack of experience and knowledge if they have been given supervision or instruction concerning use of the appliance in a safe way and understand the hazards involved. Children shall not play with the appliance.
3. This appliance is intended to be used by expert or trained users in shops, in light industry and on farms, or for commercial use by lay persons.
4. If the supply cord is damaged, it must be replaced by the manufacturer, its service agent or similarly qualified persons in order to avoid a hazard.
5. The appliance must not be cleaned by a water jet.
6. The appliance is suitable for indoor use only.
7. **WARNING:** Keep ventilation openings, in the appliance enclosure or in the built-in structure, clear of obstruction.
8. **WARNING:** Do not use mechanical devices or other means to accelerate the defrosting process, other than those recommended by the manufacturer.
9. **WARNING:** Do not use electrical appliances inside the food storage compartments of the appliance, unless they are of the type recommended by the manufacturer.

## B. PART NAME



NO.	PART NAME	NO.	PART NAME
1	Hot water button	7	Lower door
2	Ambient water button	8	Heating switch
3	Cold water button	9	Cooling switch
4	Display panel	10	Power supply cord
5	Spout	11	Drain outlet
6	Water collector assembly	12	Condenser

### NOTE:

This machine can be suitable for bottle of 5 gallons. Do not use unhealthy hard water.

## C. SAFETY PRECAUTIONS

### WARNING

**To reduce risk of injury and property damage, user must read this entire guide before assembling, installing & operating dispenser.**

**Failure to execute the instructions in this manual can cause personal injury or property damage.**

**This product dispenses water at very high temperatures. Failure to use properly can cause personal injury.**

**When operating this dispenser, always exercise basic safety precautions, including the following:**

- Prior to use, this dispenser must be properly assembled and installed in accordance with this manual.
- This dispenser is intended for water dispensing only. DO NOT use other liquids DO NOT use for other purposes. Never use any other liquid in the dispenser other than known and microbiologically safe bottled water.
- For indoor use only. Keep water dispenser in a dry place away from direct sunlight. DO NOT use outdoors.
- Install and use only on a hard, flat and level surface.
- DO NOT place dispenser into an enclosed space or cabinet.
- DO NOT operate dispenser in the presence of explosive fumes.
- Position back of dispenser no closer than 20cm from wall and permit free airflow between wall and dispenser. There must be at least 20cm clearance on the sides of the dispenser to permit airflow.
- Use only properly grounded outlets.
- Do not use an extension cord with your water dispenser.
- Always grasp plug and pull straight out from outlet. Never unplug by pulling on power cord.
- DO NOT use dispenser if cord becomes frayed or otherwise damaged.
- To protect against electric shock. DO NOT immerse cord, plug, or any other part of dispenser in water or other liquids.
- Ensure dispenser is unplugged prior to cleaning.
- Never allow children to dispense hot water without proper and direct supervision. Unplug unit to prevent unsupervised use by children.
- Service should be performed only by a certified technician.
- Warning: DO NOT damage the refrigerant circuit.

- The appliance is not intended for use by persons (including children) with reduce physical, sensory or mental capabilities, or lack of experience and knowledge, unless they have been given supervision or instruction concerning use of the appliance by a person responsible for their safety.
- This appliance is intended to be used in household and similar applications such as: -staff kitchen in hotels, motels and other residential type -farm houses; -by clients in hotels, motels and other residential type environments; -bed and breakfast type environments.
- If the supply cord is damaged, it must be replaced by the manufacturer, its service agent or similarly qualified avoid.
- The appliance must not be cleaned by a water jet.
- The appliance is suitable for indoor use only.
- **WARNING: Keep ventilation openings, in the appliance enclosure or in the built-in structure, clear of obstruction.**
- **WARNING: Do not use mechanical devices or other means to accelerate the defrosting process, other than those recommended by the manufacturer.**
- Do not store explosive substances such as aerosol cans with a flammable propellant in this appliance.
- The appliance must not be immersed.
- This appliance should work under environment of temp from 10°C ~43°C.
- This appliance is not suitable for installation in an area where a water jet could be used.
- Never turn the machine upside down or lean it more than 45°.
- Thermostat has be adjusted. No need to adjust it by yourself. When the machine is under the ice point and blocked by ice, the cooling switch must be closed for 4 hours before turning it on again to continue its operation.
- This machine should not be turned on until 3 minutes later after turning off the power switch.
- It is recommended to use bottled pure water. If you use hard water, may lead to hot pot furring or detonation tank or pipeline risk. If you need cleaning tube, remove scale, need to find a professional institutions and professional operation.
- This product is not recommended at an altitude of 1500 meters above the region to use.
- **WARNING: When positioning the appliance, ensure the supply cord is not trapped or damaged.**
- **WARNING: Do not locate multiple portable socket-outlets or portable power supplies at the rear of the appliance.**
- In order to make sure the machine can be used normally, please keep it stand still for 24 hours before powering up.

- **WARNING:** UV radiation is dangerous for eyes and skin. Do not operate the UV-C emitter outside the appliance.
  - **WARNING:** Do not operate the UV-C emitter when it is removed from the appliance enclosure.
  - **WARNING:** This appliance contains a UV emitter. Do not stare at the light source.
- Unintended use of the appliance or damage to the housing may result in the escape of dangerous UV-C radiation. UV-C radiation may, even in little doses, -
- cause harm to the eyes and skin.
  - Appliance the are obviously damaged must not operated.
- If the replacement of the UV-C emitter by the user is not allowed, this must be clearly stated.

## D. OPERATION PANEL

1. Plug the power supply cord into a properly grounded wall outlet, the 3 pilot lamps will light up then go off, one at time, from left to right.
2. Turn on the heating switch. The heating pilot lamp will light up when heating is in progress and will go off when heating is completed and has stopped. The heating pilot lamp will also go off when the heating switch is turned off.
3. Turn on the cooling switch. The cooling pilot lamp will light up when cooling is in progress and will go off when cooling is completed and has stopped. The cooling pilot lamp will also go off when the cooling switch is turned off.
4. Under normal working conditions, after power on. When the UV module is working, the UV pilot lamp will light up. otherwise, the UV pilot lamp will go off.
5. The heating pilot lamp and the cooling pilot lamp will flashing at the same time when the water level in the bottle is low or empty.



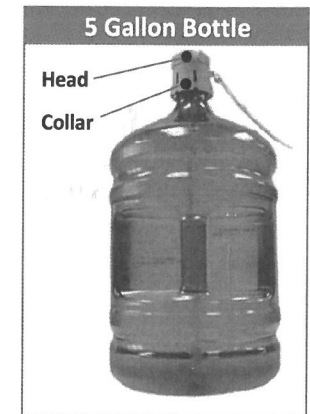
## E. GETTING STARTED

### Locate Dispenser

1. Place dispenser upright.
2. Locate dispenser on a hard and level surface in a cool shaded location near a grounded wall outlet.  
Notice: DO NOT plug in power cord yet.
3. Position dispenser so the back is at least 20cm from wall and there are at least 20cm of clearance on both sides.

### Install Water Bottle

1. Open dispenser door.
2. Place probe assembly on probe hanger.
3. Place fresh bottle outside of cabinet.
4. Remove entire plastic cap from top of bottle.
5. Clean outside of new bottle with a cloth.
6. Place probe into bottle.
7. Slide collar down until it clicks in place.
8. Push head down until tubes hit bottom of bottle.
9. Slide bottle into cabinet and close door.



### Provide Electricity

Plug cord into a properly grounded wall outlet. At this time the pump will begin to move water from the bottle to the hot and cold tanks. It will take up to 5 minutes to fill the tanks for the first time. During this period the pump will run continuously. This is normal.

### Activate Heating & Cooling

Notice: This unit will not dispense hot or cold water until the switches are activated.

To activate. Push top side of power switches in to start heating and cooling water.

- If you do not want to heat water, push bottom side of red switch on.
- If you do not want to cool water, push bottom side of green switch on.

## F. DISPENSING WATER

This unit has been tested and sanitized prior to packing and shipping. During transit dust and odors can accumulate in the tank and lines. Dispense and dispose at least one quart of water prior to drinking any water.

### Dispensing Cold Water

After setup, it will take up to 1 hour to get water to maximum cold temperature. During this time the compressor could run continuously. This is normal.

1. Position bottle, glass, pitcher or cooking pot below spout.
2. Depress normal water control downward to start cold water flow.
3. Release control once desired fill level is achieved.

### Dispensing Normal Water

1. Position bottle, glass, pitcher or cooking pot below spout.
2. Depress cold water control downward to start normal water flow.
3. Release control once desired fill level is achieved.

### Dispensing Hot Water

After setup, hot water will be available in 15-20 minutes.

1. Position bottle, glass, pitcher or cooking pot below spout.
2. Slide red button away from you and depress hot water control downward to start hot water flow.
3. Release control once desired fill level is achieved.

### UV display

Under normal working conditions, after power on, the UV module starts to work in a 3-hour cycle. In the first 40 minutes, the UV icon lights up and UV function is on. After 40 minutes, the UV icon goes off and UV function is off. After 140 minutes, the UV icon lights up, UV function is on again, and keep cycling.

### Changing Bottles

A flashing red light on your function lights alerts you when your bottle is empty. Replace the bottle as soon as possible.

Notice: Do not dispense hot, cool or cold water if the light is flashing as you could empty the tanks and cause the dispenser to overheat.

1. Open dispenser door.
2. Slide empty bottle out of cabinet.
3. Remove probe assembly from empty bottle. Place probe assembly on probe hanger.
4. Set empty bottle aside.
5. Place fresh bottle outside of cabinet. Remove entire plastic cap from top of bottle. Clean outside of new bottle with a cloth.
6. Place probe into bottle. Slide collar down until it clicks in place. Push head down until tubes hit bottom of bottle.
7. Slide bottle into cabinet and close door.

## G. TROUBLE SHOOTING

### Water is leaking

Unplug dispenser, remove bottle and replace it.

No water is coming from the spout.

Make sure the bottle is not empty. If empty, replace it.

Make sure to completely depress the pushbutton controls.

### Cold water is not cold

It takes up to one hour after setup to dispense cold water.

Make sure the power cord is properly connected to a working outlet.

Make sure the back of the dispenser is at least 20cm from a wall and there is free airflow on all 20cm sides of the dispenser.

Make sure green power switch on back of dispenser is ON.

If water still isn't cold, please ask for the service agent for assistance.

### Hot water is not hot.

It takes 15-20 minutes after setup to dispense hot water.

Make sure the power cord is properly connected to a working outlet.

Make sure red power switch on back of dispenser in ON.

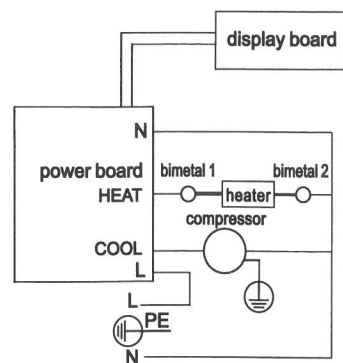
### Dispenser Is Noisy

Make sure the dispenser is positioned on a level surface.

## H. TECHNICAL PARAMETERS

MODEL:	SP-A1688-UV	
DIMENSION:	316*360*1040mm	
RATED VOLTAGE:220-240V~	RATED FREQUENCY:50Hz	
RATED POWER:520W	HEATING POWER:420W	
HOT WATER:≥85°C 4L/h	COLE WATER:≤10°C 2L/h	
REFRIGERANT:R134a(32g)	COOLING CURRENT:1.0A	
COLD TANK CAPACITY:2L	HOT TANK CAPACITY:1L	

## I . CIRCUIT DIAGRAM



## J . CLEANING

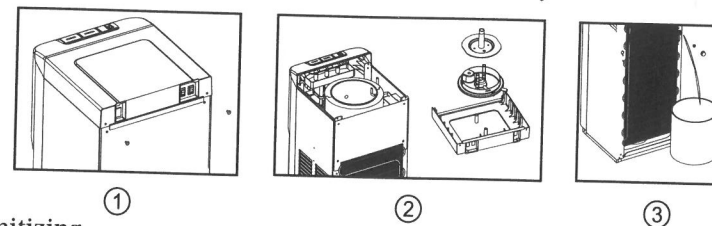
To avoid accident, cut off the power supply before operation according to the following instruction.

1. The machine had been disinfected before departed from factory.  
Cleaning the dispenser prior to installing a full bottle of water for the first time.
2. Cleaning and draining instruction:
  - 1) Making sure the power switch in the O(off) position and unplug the water dispenser before cleaning.
  - 2) Twist out the two screws , then take down top cover, cold tank cover and separator 2.
  - 3) Fill 0.6 gallons pure water into cold tank to clean it.
  - 4) Turn on all the taps in turn for 3 minutes after the water outflow, which completes the internal pipeline flushing.

- 5) Place a large water bucket beneath the drain outlet which on the back of water dispenser, then, remove the drain cover and drain the water 3.
- 6) Reposition the drain cover, separator, cold tank cover and top cover after draining. Ensure the pipe and wires are connected properly, then, you can use the machine normally.

Attention:

- 1) The cleaning must be under the guidance of professional staff.
- 2) The dispenser heats water to a temperature of approximately 85°C .It can cause severe burns. Please operate it carefully.



### 3. Sanitizing

The machine should be disinfected with the disinfectant separately bought from drugstore or marketplace according to the instruction manual of the disinfectant and then clean it with water(see cleaning and draining instruction).Generally this should be done every three months.

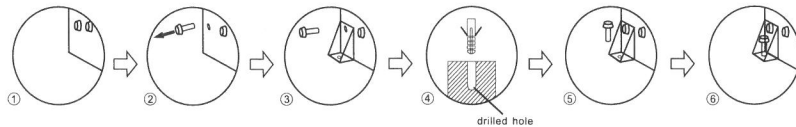
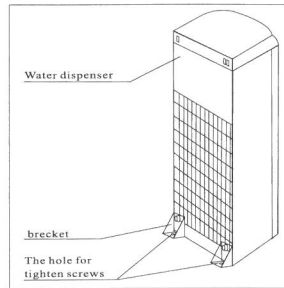
### 4. To Remove Mineral Deposits:

Mix 4 liters water with 200g citric acid crystals, inject into the machine and make sure the water can flow out of the hot water tap. Switch on the power and heat it about 10 minutes, 30 minutes later, drain off the liquor and clean it with water for two or three times. Generally this should be done every six months. Never disassemble this machine by yourself to avoid danger from damaging machine.

## K. MACHINE INSTALLATION

To prevent the machine from swaying to fall, please install the bracket accordingly.

1. Loosen the screw of the left or right bottom angle just as the picture shown.
2. Use the screw to fix the bracket on the left or right bottom angle of the water dispenser.
3. Make a hole on the floor's or the desk's surface where the water dispenser will be installed.
4. Fix the bracket on the floor by screw tightly.
5. Tighten the screw.



### NOTE:

Manufacture shall have the right to make changes without prior notice.

The packaging material used is recyclable; we recommend that you separate plastic, paper and cardboard and give them to recycling companies. To help preserve the environment, the refrigerant used in this product is R134a (Hydrofluorocarbon -HFC), which does not affect the ozone layer and has little impact on the greenhouse effect. According to WEEE (Waste of Electrical and Electronic Equipment) guidelines, waste from electrical and electronic devices should be collected separately. If you need to dispose of this appliance in the future, do NOT throw it away with the rest of your domestic garbage. Instead, please take the appliance to the nearest WEEE collection point, where available.

